

# Renewable Energy Education Set ASSEMBLY GUIDE



Model No.: FCJJ-27

## Warning

To avoid the risk of property damage, serious injury or death:

This kit should only be used by persons 12 years old and up, and only under the supervision of adults who have familiarized themselves with the safety measures described in the kit. Keep small children and animals away, as it contains small parts that could be swallowed. The fuel cell generates gases that are very easily ignited. Read the instructions before use and have them ready for reference.

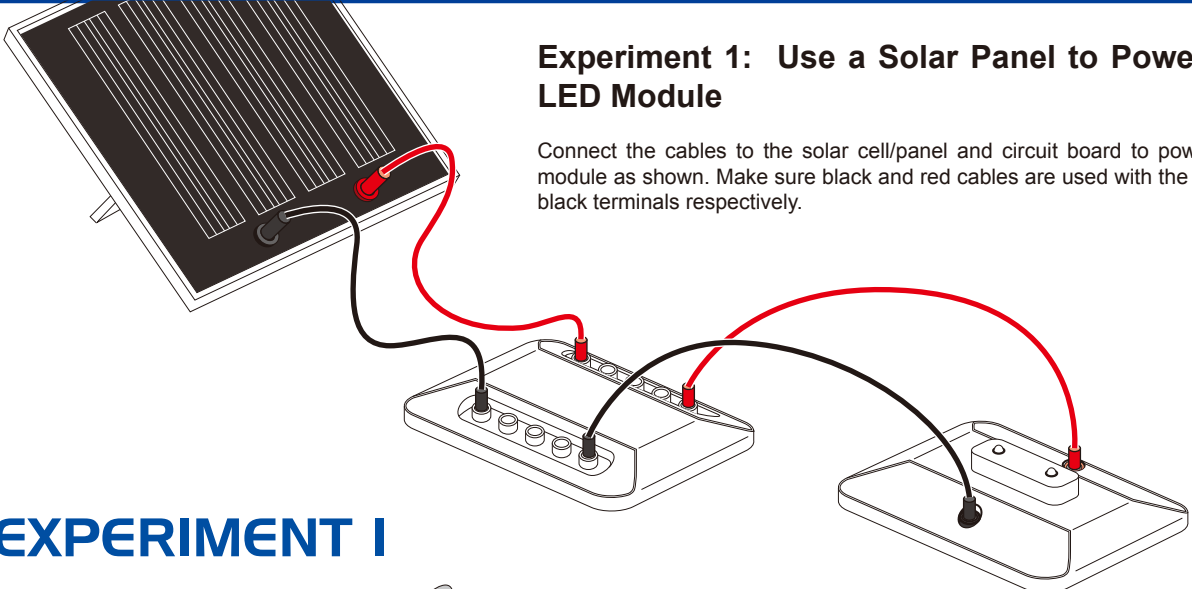
## Battery operation instructions:

1. The removing and inserting of batteries is to be conducted by the adults only.  
Unscrew the screw holding the battery pack's cover in place using a screw driver. Once the screw is removed open the battery pack and take out the batteries using your fingers. Do not use a metal object. When inserting the batteries make sure that you are doing so with the correct polarity (the positive end of the battery must match up with the "+" and the negative end of the battery must match up with the "-" indicated on the battery pack), close the battery pack and secure its cover by tightening the screw with a screw driver.
2. Non-rechargeable batteries are not to be recharged.
3. Different types of batteries such as rechargeable, alkaline and standard batteries or new and used batteries are not to be mixed and should be used separately.
4. The battery pack cables are not to be inserted into an AC socket.
5. The supply terminals of the battery pack are not to be short-circuited.
6. The two spare red&black cables are not to be inserted into an AC socket.
7. Exhausted batteries are to be removed from the battery pack.

## What do you need?

- REES
- AA batteries=2 Units
- Water=100ml
- Scissors

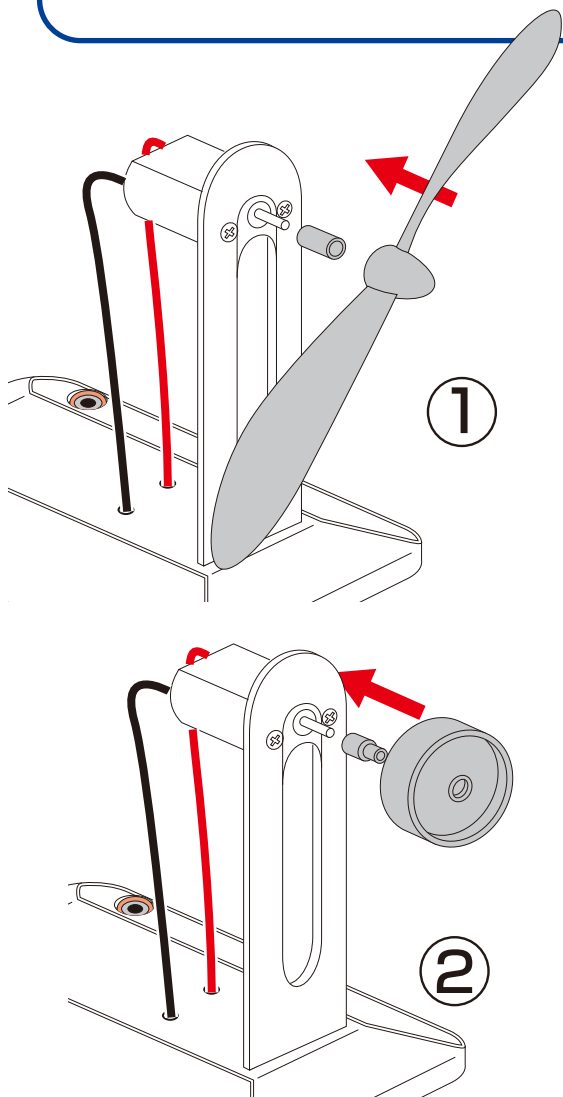
**IMPORTANT:** Use common sense when connecting the parts described in this guide. Improper connections can cause failure and permanent damage to your equipment.



**Experiment 1: Use a Solar Panel to Power the LED Module**

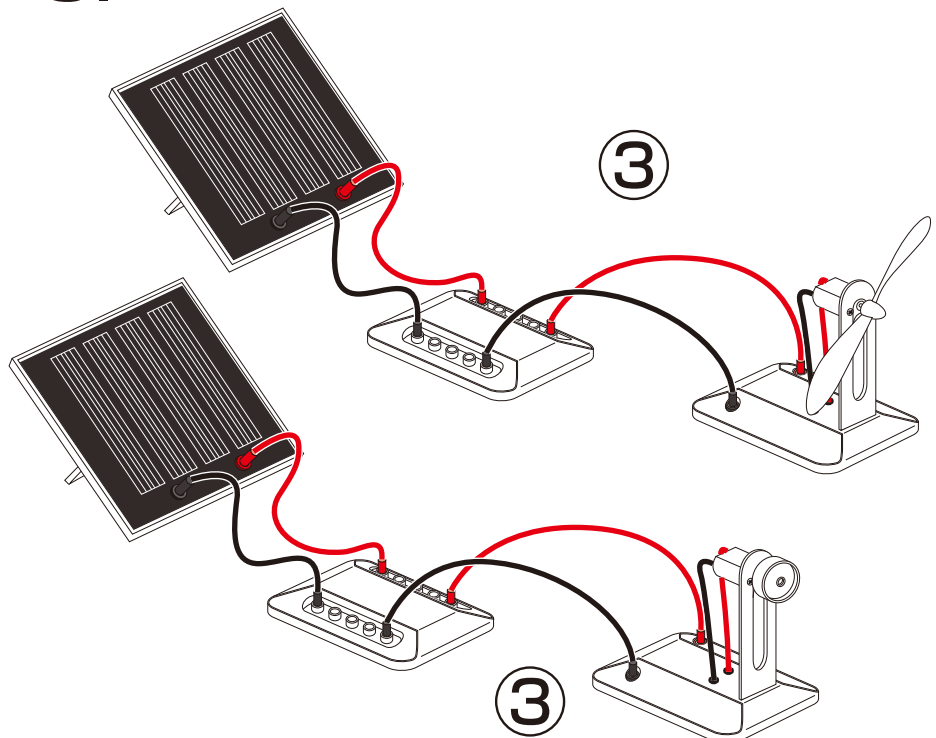
Connect the cables to the solar cell/panel and circuit board to power LED module as shown. Make sure black and red cables are used with the red and black terminals respectively.

EXPERIMENT 1



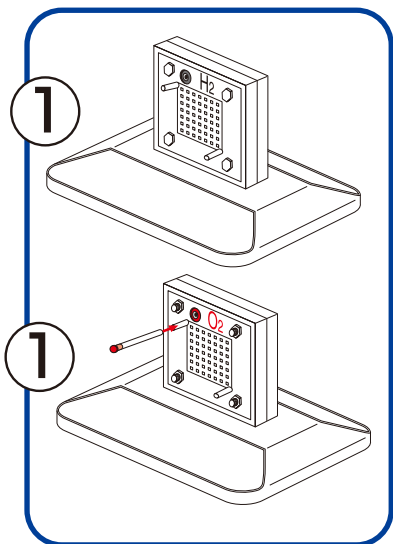
**Experiment 2: Use a Solar Panel to Power the Small Fan/Wheel Motor Module**

1. **Assembly of the small electric fan:**  
Connect small round white adapter to the motor axis. Connect the fan blade to the adapter.
2. **Assembly of the car wheel:**  
Firmly connect the other (tapered) white adapter to the motor axis. Attach the small wheel to the adapter.
3. Connect the solar panel to the circuit board then to the motor base as shown. The fan may need to be flicked with your finger to start.



**EXPERIMENT 2**

## Experiment 3: Preparation of the Electrolyzer Module and Solar Powered Hydrogen Production



1. Insert the electrolyzer, terminals on top, into the slot on the base. Cut 2 x 4cm length pieces of rubber tube and insert a black pin into the end of one tube. Place the tube with the black pin into the top pin on the hydrogen side (with black terminal). Place the other tube firmly onto the top input nozzle on the oxygen side.

2. Fill the syringe with DISTILLED water. On the red oxygen side of the electrolyzer, connect the syringe to the uncapped tube. Fill the electrolyzer until water begins to flow out of the tube. Attach a red plug to the Oxygen side tube. Let settle for 3 min.

3. Attach the round cylinders to the cylinder base by pressing downward into round slots and twisting into place. Then add water up to the "0" line.

4. Cut out a 16cm length tube. Place it through the holes on the white clincher, with the clincher 4 cm from the end of the tube.

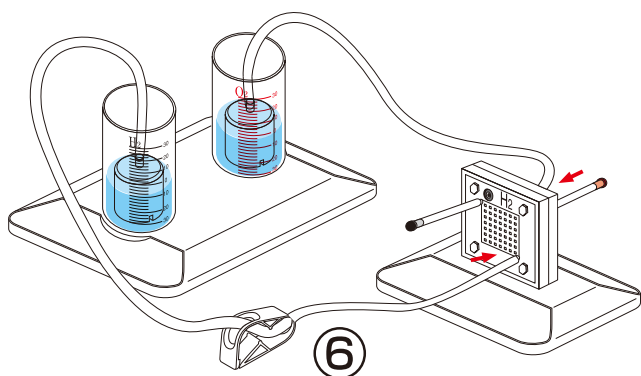
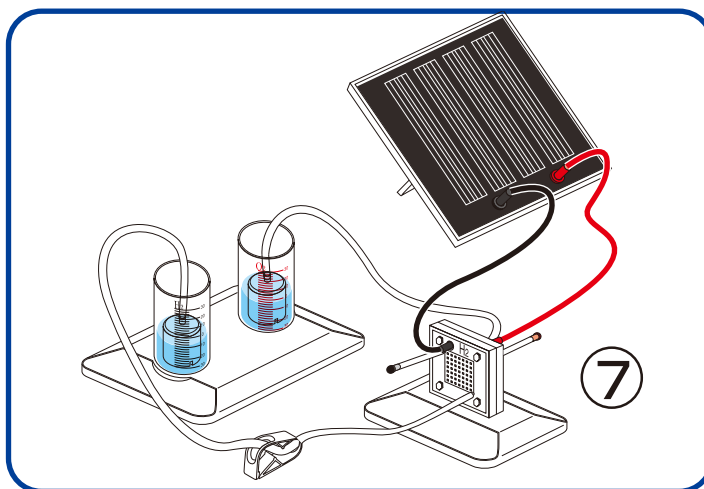
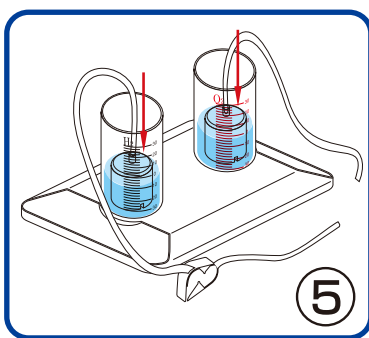
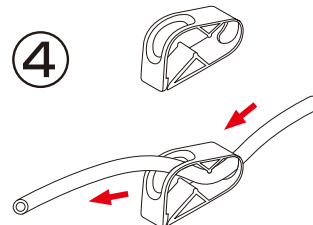
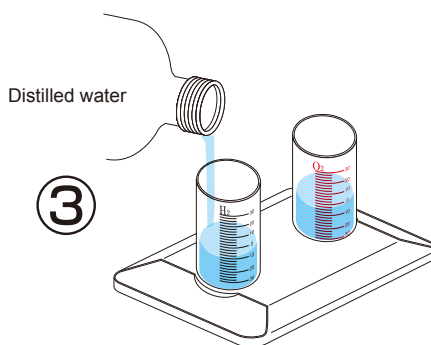
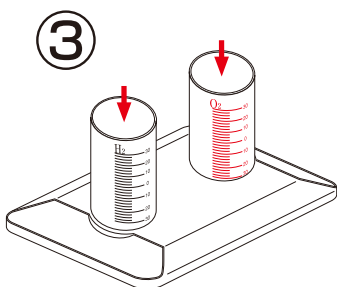
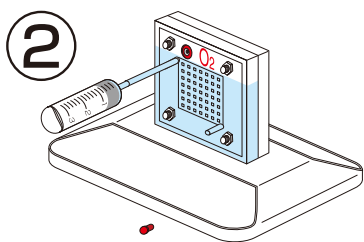
5. Place inner containers into outer cylinders minding that the gaps are not blocked by inner plastic rims. Make sure the water is still level to the "0" line. If not, remove some water with the syringe so that water level is at "0" line. Connect the tubings to the top nozzles on the inner containers. If the tubing is connected to the inner cylinders last there will be no air trapped inside the inner containers.

6. Connect the other end of the tube to the bottom end of the black hydrogen side of the electrolyzer. Connect the other end of the tube to the bottom end of the red oxygen side of the electrolyzer.

7. Connect the electrolyzer to the solar panel using the corresponding cables and expose to direct sunlight. (*Important: make sure connections are correct or permanent damage can occur. Make sure the clincher is OPEN.*)

The system will now start to produce oxygen and hydrogen in the respective cylinders. When bubbles begin to surface in the hydrogen cylinder the cycle is complete. Disconnect the electrolyzer.

Procedure for repeated gas production: Disconnect the small plugs from the tubes connected to the nozzles on the reversible fuel cell. This will allow water into the inner cylinders to replace the gasses and reset water levels to "0" line. Re-insert the plugs into the tubes and repeat electrolysis again.

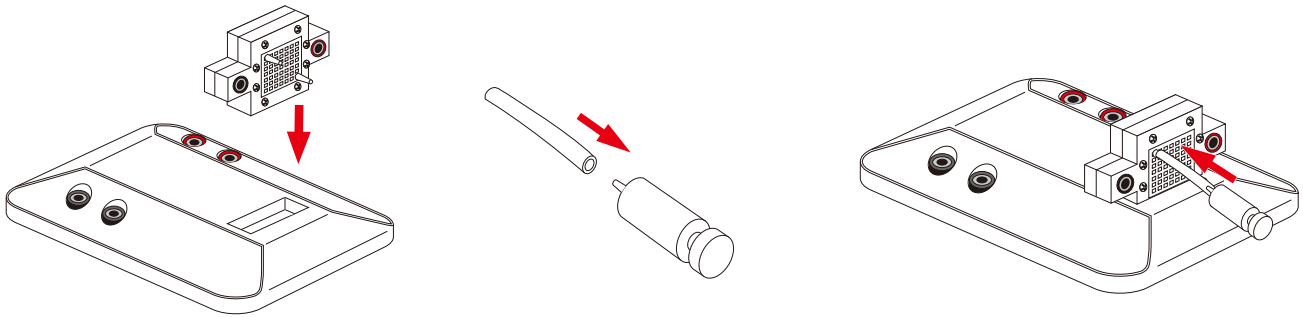


## EXPERIMENT 3

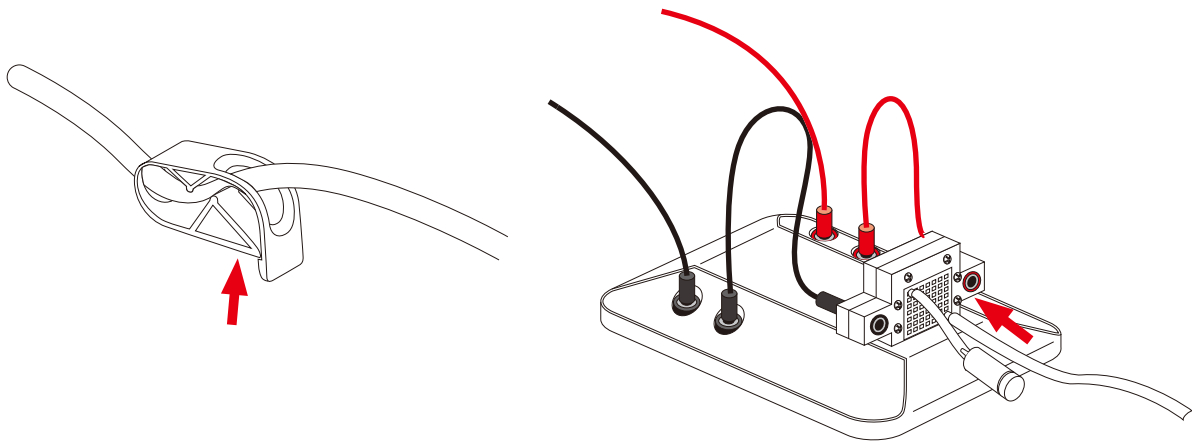
# USING FUEL CELLS TO CONVERT HYDROGEN TO ELECTRICITY

## Preparation of the Fuel Cell System

Insert the fuel cell into the base with the red terminal on the same side as the red terminals on the base. Connect a green purging valve to one end of a 2cm tube and the other end to the upper nozzle on the hydrogen side of the fuel cell.



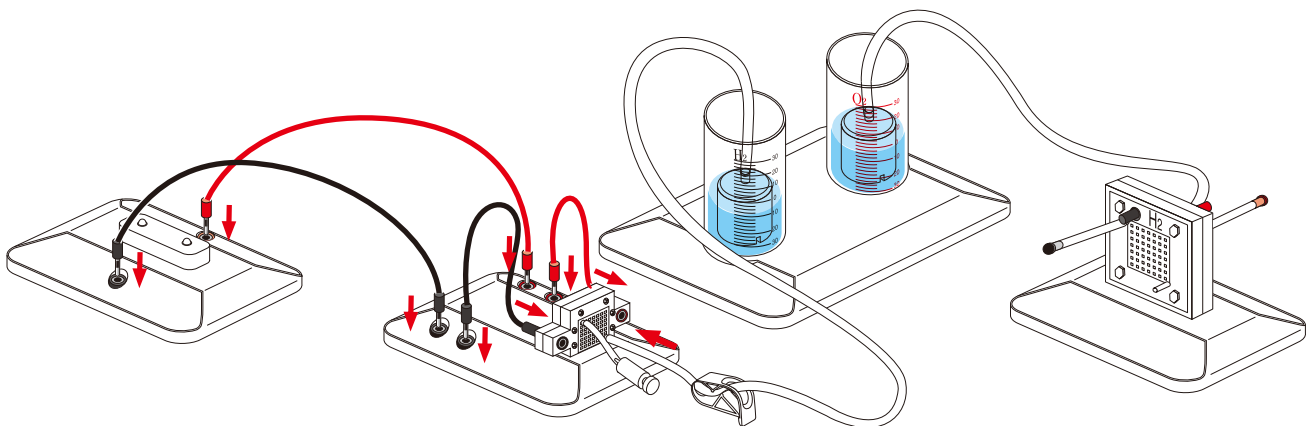
Clench the tube connected to the electrolyzer and hydrogen cylinder so that none of the hydrogen in the cylinder from the last experiment can escape. Next disconnect the tube from the electrolyzer and connect it to the lower nozzle on the fuel cell.



### Experiment 4: Using a PEM Fuel Cell to Power the LED Module

Connect the fuel cell to the fuel cell base using the red and black wires. Make sure to connect the black wire with the black terminals and red with red terminals. Now connect the LED module to the base in the same manner.

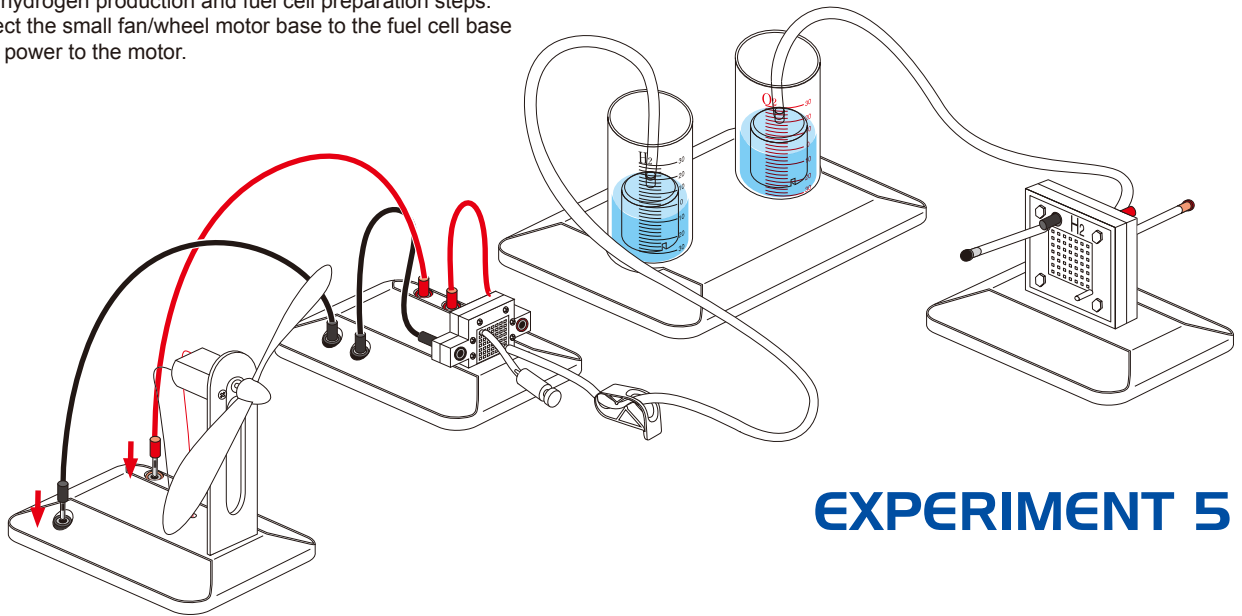
You should see the LED lights begin flashing. If not, purge a very small amount out of the valve to allow some of the gas to move into the fuel cell. As the LED light consumes electricity the fuel cell will consume hydrogen from the cylinder and you will see the water level reflect the changes in amount of gases consumed.



## EXPERIMENT 4

## Experiment 5: Using a PEM Fuel Cell to Power the Small Electric Fan Module

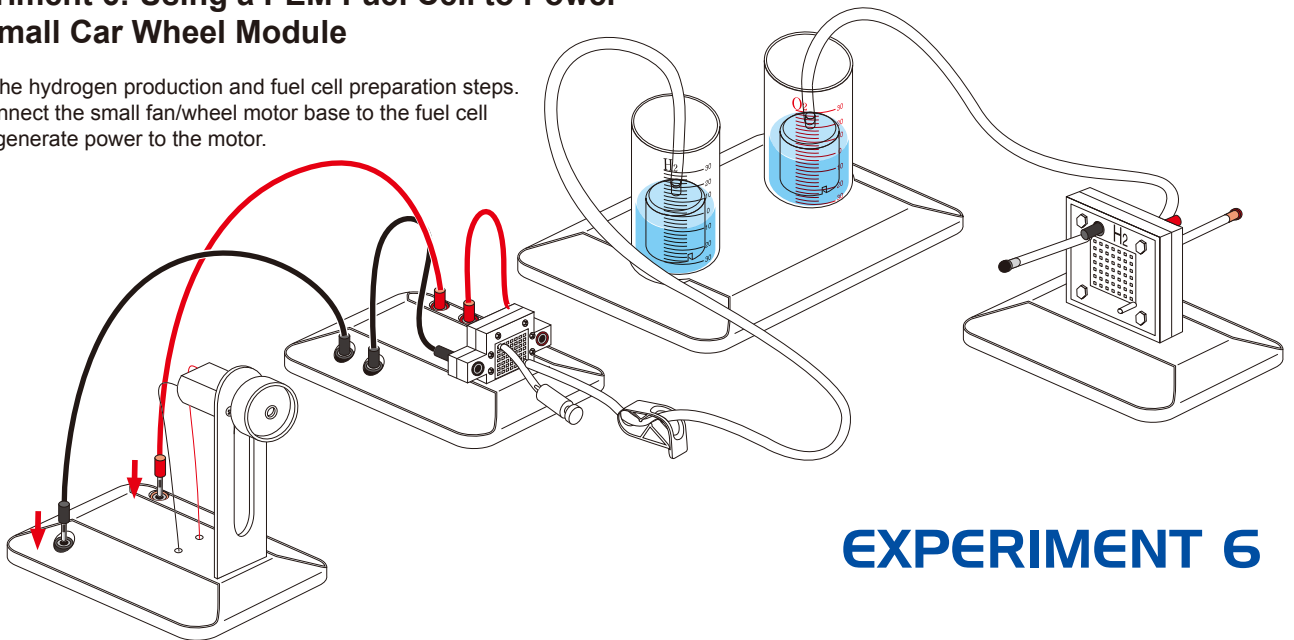
Repeat the hydrogen production and fuel cell preparation steps.  
Next, connect the small fan/wheel motor base to the fuel cell base to generate power to the motor.



## EXPERIMENT 5

## Experiment 6: Using a PEM Fuel Cell to Power the Small Car Wheel Module

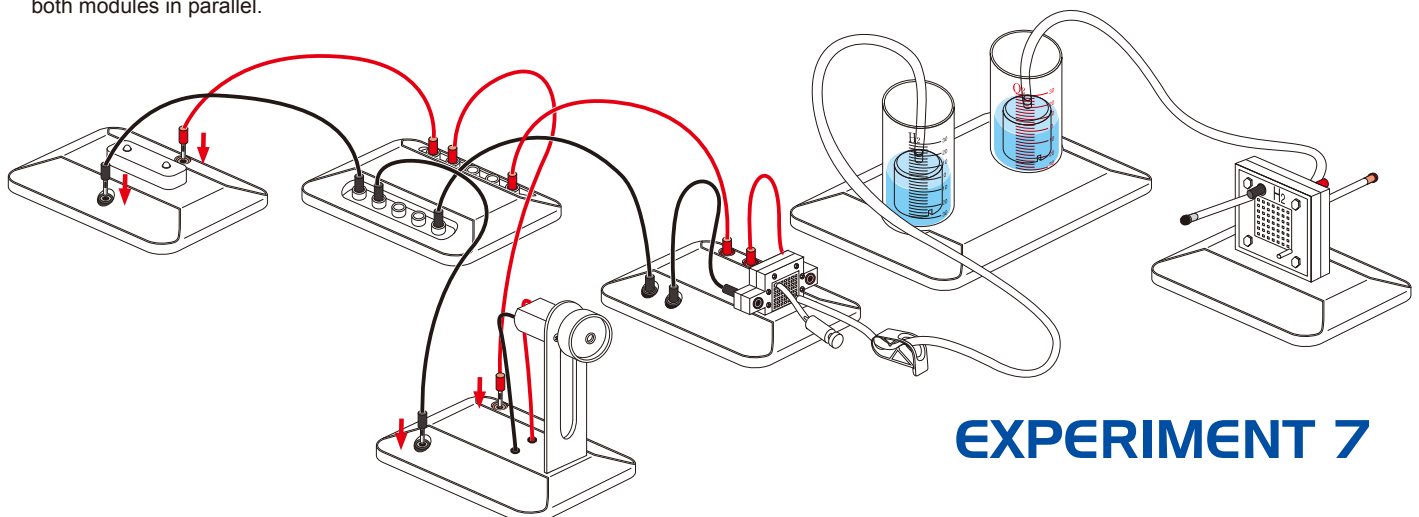
Repeat the hydrogen production and fuel cell preparation steps.  
Next, connect the small fan/wheel motor base to the fuel cell base to generate power to the motor.



## EXPERIMENT 6

## Experiment 7: Using a PEM Fuel Cell to Power the Small Fan/Wheel Motor Module and the LED Module in Parallel

Repeat the hydrogen production and fuel cell preparation steps. Next, connect the small fan/wheel motor base and the LED module base to the circuit board. Then connect the circuit board to the fuel cell module base to generate power to both modules in parallel.



## EXPERIMENT 7

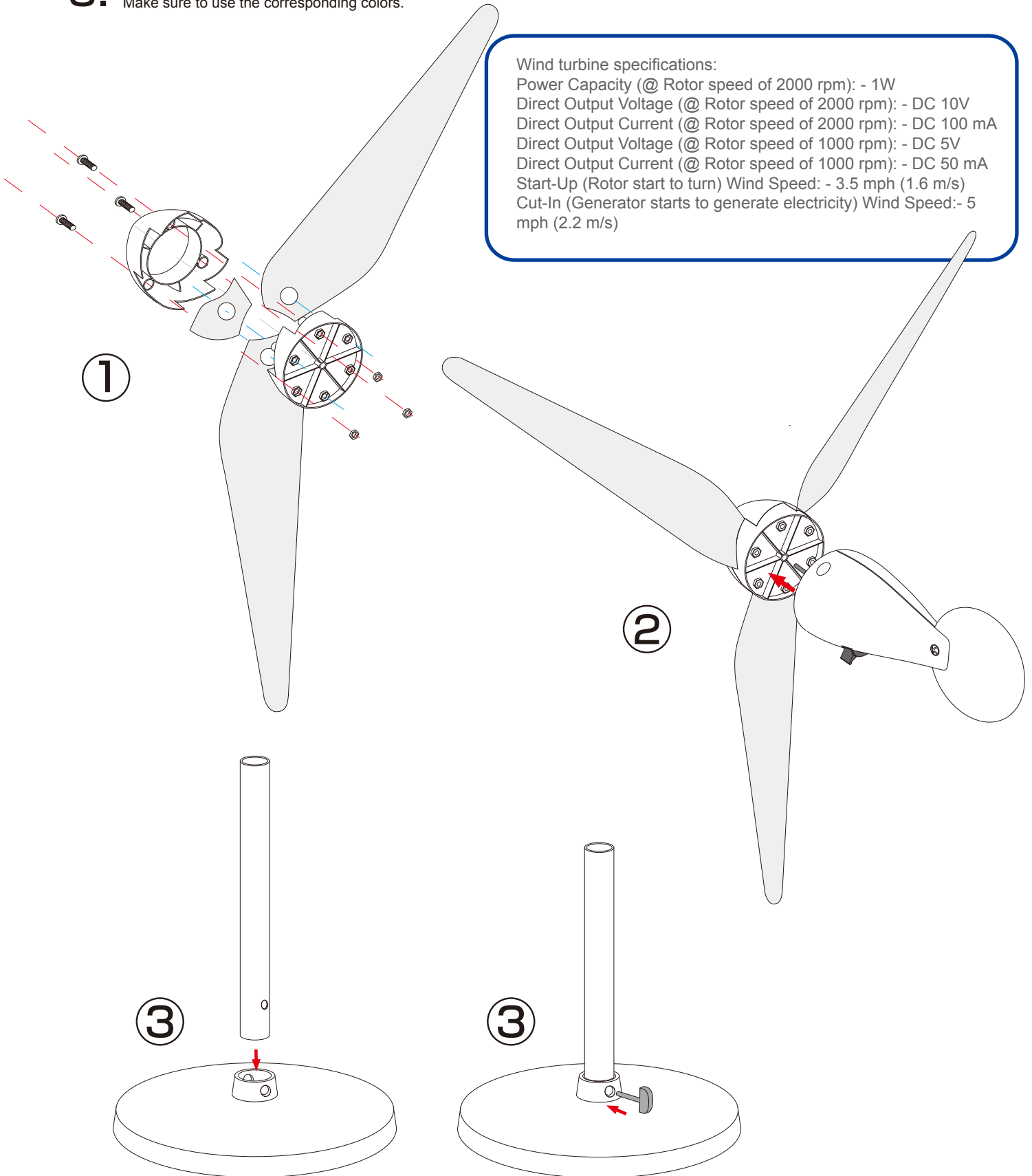
# DISCOVERING WIND ENERGY

## Assembly of the Wind Turbine:

1. Place the three nuts into the base of the wind turbine blade base (there are 6 holes, skip one hole between each nut). Turn the blade base over and configure the blades into the slots using short or long blades. Make sure that the blades are placed with the rounded edge down so that the base can sit flat on the table. Place the blade head on the blade base and use the screws to screw it into the base.
2. Attach the blade head onto the turbine body until it clicks into place. Then mount the Turbine head onto the post.
3. Slide the post into its base, and then use the white plastic pin to secure the post into place.

### Wind turbine specifications:

Power Capacity (@ Rotor speed of 2000 rpm): - 1W  
Direct Output Voltage (@ Rotor speed of 2000 rpm): - DC 10V  
Direct Output Current (@ Rotor speed of 2000 rpm): - DC 100 mA  
Direct Output Voltage (@ Rotor speed of 1000 rpm): - DC 5V  
Direct Output Current (@ Rotor speed of 1000 rpm): - DC 50 mA  
Start-Up (Rotor start to turn) Wind Speed: - 3.5 mph (1.6 m/s)  
Cut-In (Generator starts to generate electricity) Wind Speed: - 5 mph (2.2 m/s)



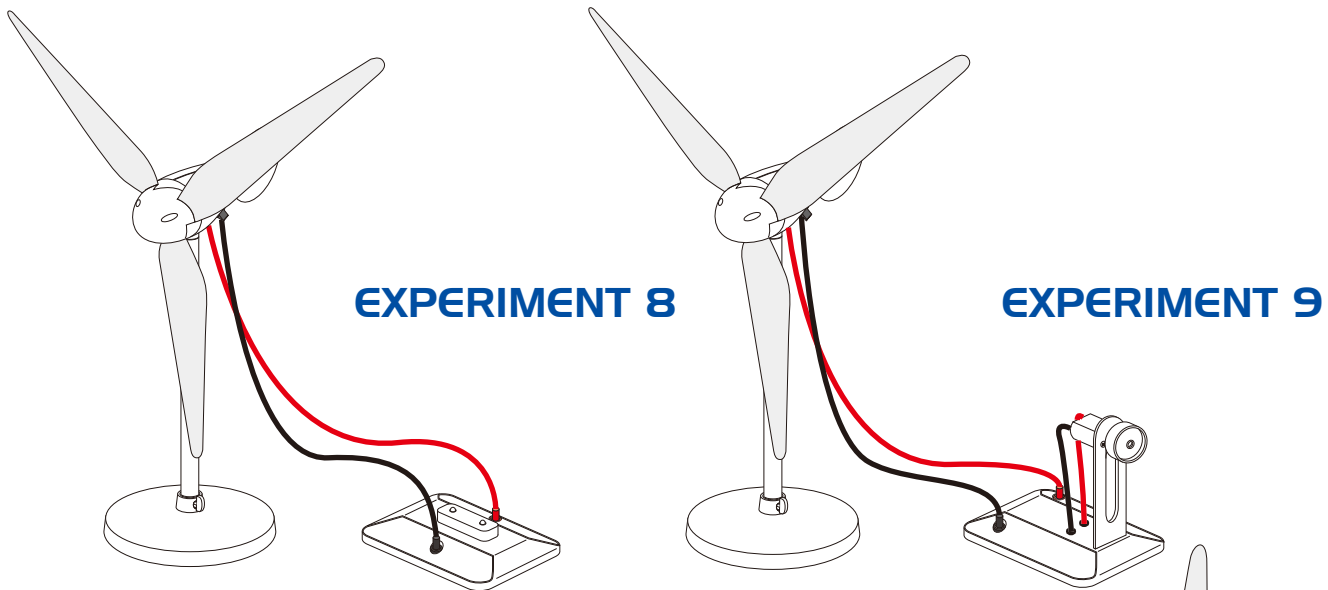


## Experiment 8: Using a Wind Turbine to Power the LED Module

Power the LED module by attaching the wind turbines cables to their respective slots on the LED module base. Position turbine to directly face the direction of wind source.

## Experiment 9: Using a Wind Turbine to Power the Small Car Wheel Module

You may also experiment to power the car wheel module by connecting the turbine wires to the respective cables on the motor module base.

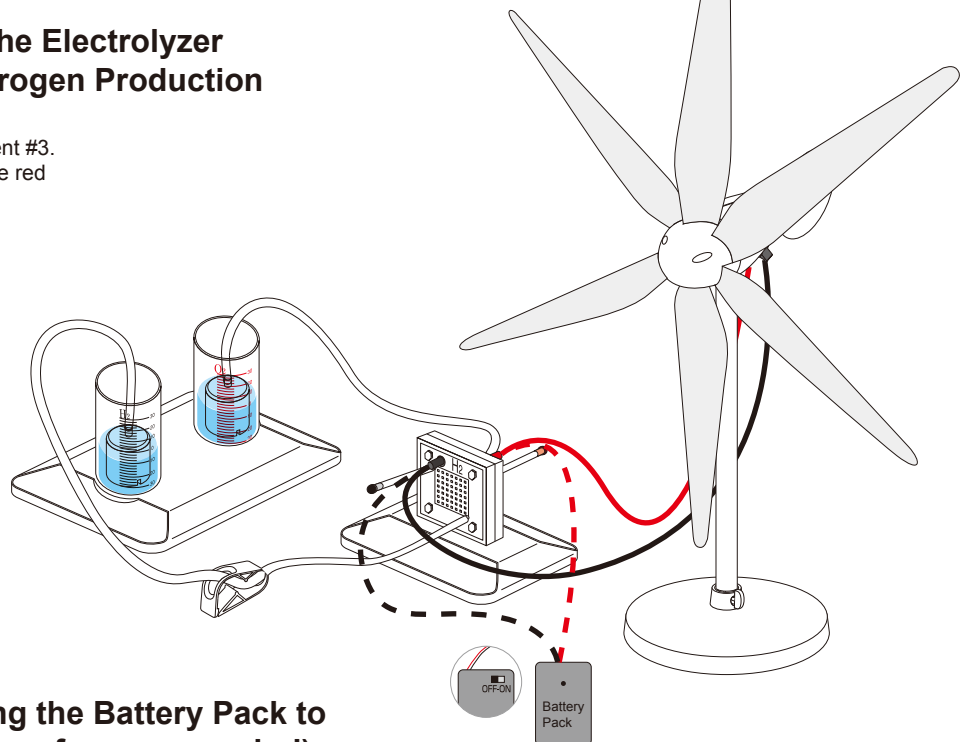


## Experiment 10: Preparation of the Electrolyzer Module and Wind Powered Hydrogen Production

Repeat the Electrolyzer setup steps as in experiment #3. Instead of connecting the solar module, connect the red and black cables to the corresponding terminals located on the wind turbine and electrolyzer. It is recommended that you assemble the wind turbine with all 6 long blades to generate maximum power required to perform electrolysis.

It is also recommended that you place the wind turbine in strong wind speeds generated from a desktop fan on high-speed setting as the amount of energy needed for electrolysis is quite high. If wind speed is insufficient, hydrogen and oxygen may not be produced. You may need to wait 10-15 minutes for sufficient amounts of gasses to be produced using the wind turbine for electrolysis.

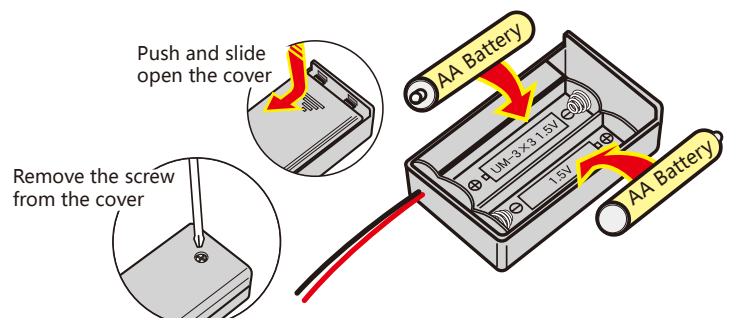
Once gasses are created using the wind turbine, experiments 4-7 may be repeated using the hydrogen created from the wind energy.



## Experiment 11(alternative): Using the Battery Pack to Perform Electrolysis (in the case of no sun or wind)

Please remove the screw from cover of battery box using a screw driver. Push and slide the cover and open the battery box. Try NOT to touch the cables when you open the cover. Place two AA batteries as indicated. Push and slide the battery box cover to closed position and screw tightly into place using screw driver.

- ※ Make sure the switch on the battery box is in the "off" position before you place the batteries into the box.
- ※ **WARNING: If the cable is short circuited the batteries inside could become hot and potentially cause burns, melting of parts, or create risk of fire.**
- ※ *Note: Battery's energy may be consumed after 4-5 times of use.*



# RENEWABLE ENERGY EDUCATION SET

## TECHNICAL SUPPORT

1. The water levels do not drop when the gas outlet tubes on both sides of the fuel cell are unplugged.

Solution:

Check whether the holes on the wall of the inner container are blocked. If so, turn the inner container until water enters the holes and fills up the inner container.

2. The electrolyzer does not produce hydrogen and/or oxygen.

Solution 1:

Check whether the wires are appropriately connected, and whether there are any loose connections. The fuel cell could be completely destroyed if the red wire of the battery pack is connected to the black jack of the fuel cell.

Solution 2:

Replace the old batteries with new one in the battery pack.

3. The load cannot work while there is hydrogen left in the inner container.

Solution:

Push the green purging valve to release tiny amount of hydrogen. You can then observe the load working well again.

4. The water electrolysis process slows down.

Solution:

Inject water to the oxygen side of the fuel cell by using the syringe and wait for about 3 minutes before using the electrolyzer again.

5. The wind turbine's blades cannot rotate properly or hit the wind turbine mount while rotating.

Solution:

Disconnect the blades, install them facing the opposite direction as on page 44.

6. No hydrogen is produced using the windturbine outdoors.

Solution:

If the wind speed is not sufficient electricity will not be created. Use a common desk fan with faster wind speed to perform the electrolysis using the electrolyzer, or conduct the experiment under stronger wind conditions.

7. If the fuel cell and/or electrolyzer becomes flooded with water

Solution 1:

Use the syringe to clear the water out of the fuel cell.

Solution 2:

Use the hair drier to blow hot air towards the fuel cell and the nozzles on each side. Make sure you blow warm air towards the fuel cell.

8. The fuel cell can not generate electricity while there is hydrogen still left in the hydrogen container.

Solution 1:

Push the purging valve to release remaining amounts of hydrogen.

Solution 2:

Use the syringe to clear the water out of the fuel cell.